
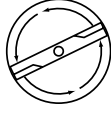


|  |   |                 |
|--|---|-----------------|
| <b>SERVICE</b><br> |  | <b>4</b>        |
|  |   | <b>I0200026</b> |

IPL, LT19 A, 2002-03, 106 28 68-61

JLT19H48B

# LT19 A

**Spare parts**

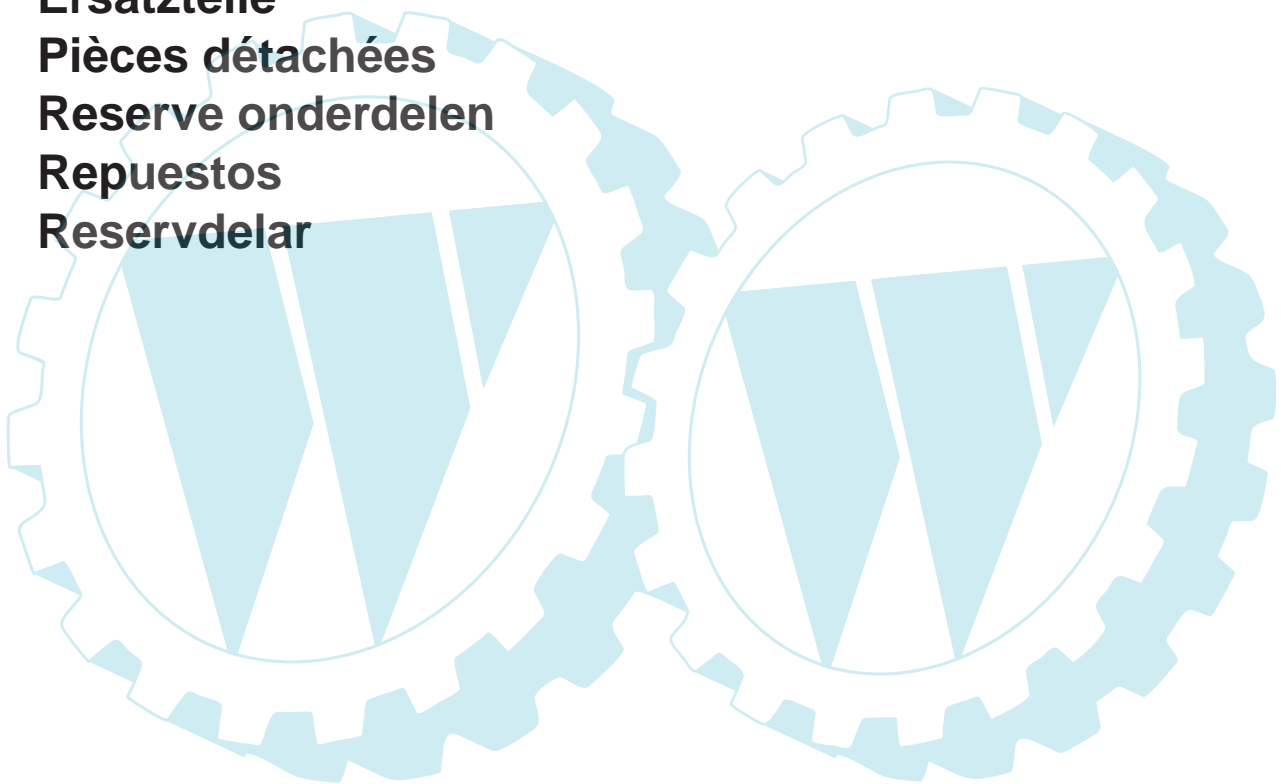
**Ersatzteile**

**Pièces détachées**

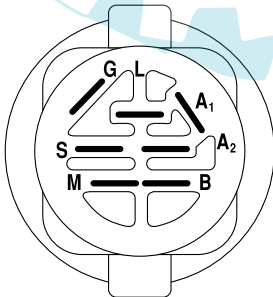
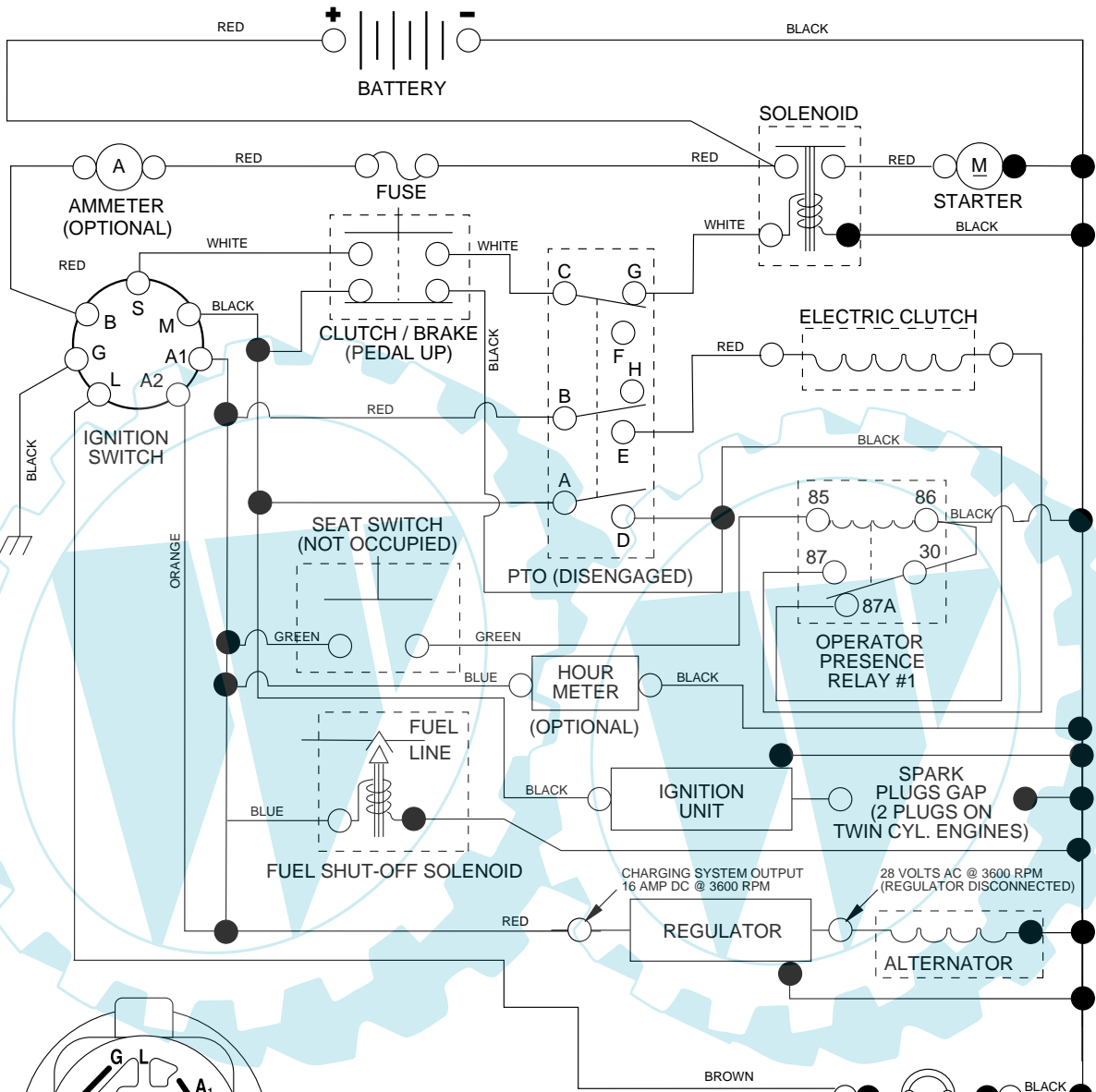
**Reserve onderdelen**

**Repuestos**

**Reservdelar**



TRACTOR - - MODEL NUMBER LT19A (JLT19H48B), PRODUCT NO. 954 13 00-78  
SCHEMATIC



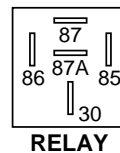
**IGNITION SWITCH**

| POSITION  | CIRCUIT    | "MAKE" |
|-----------|------------|--------|
| OFF       | M+G+A1     | NONE   |
| RUN/LIGHT | B+A1       | A2+L   |
| RUN       | B+A1       | NONE   |
| START     | B + S + A1 | NONE   |

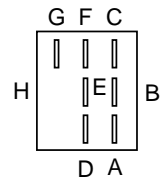
**PTO SWITCH**

| POSITION | CIRCUIT             |
|----------|---------------------|
| OFF      | C + G, B + H        |
| ON       | C + F, B + E, A + D |

NON-REMOVABLE CONNECTIONS  
 REMOVABLE CONNECTIONS

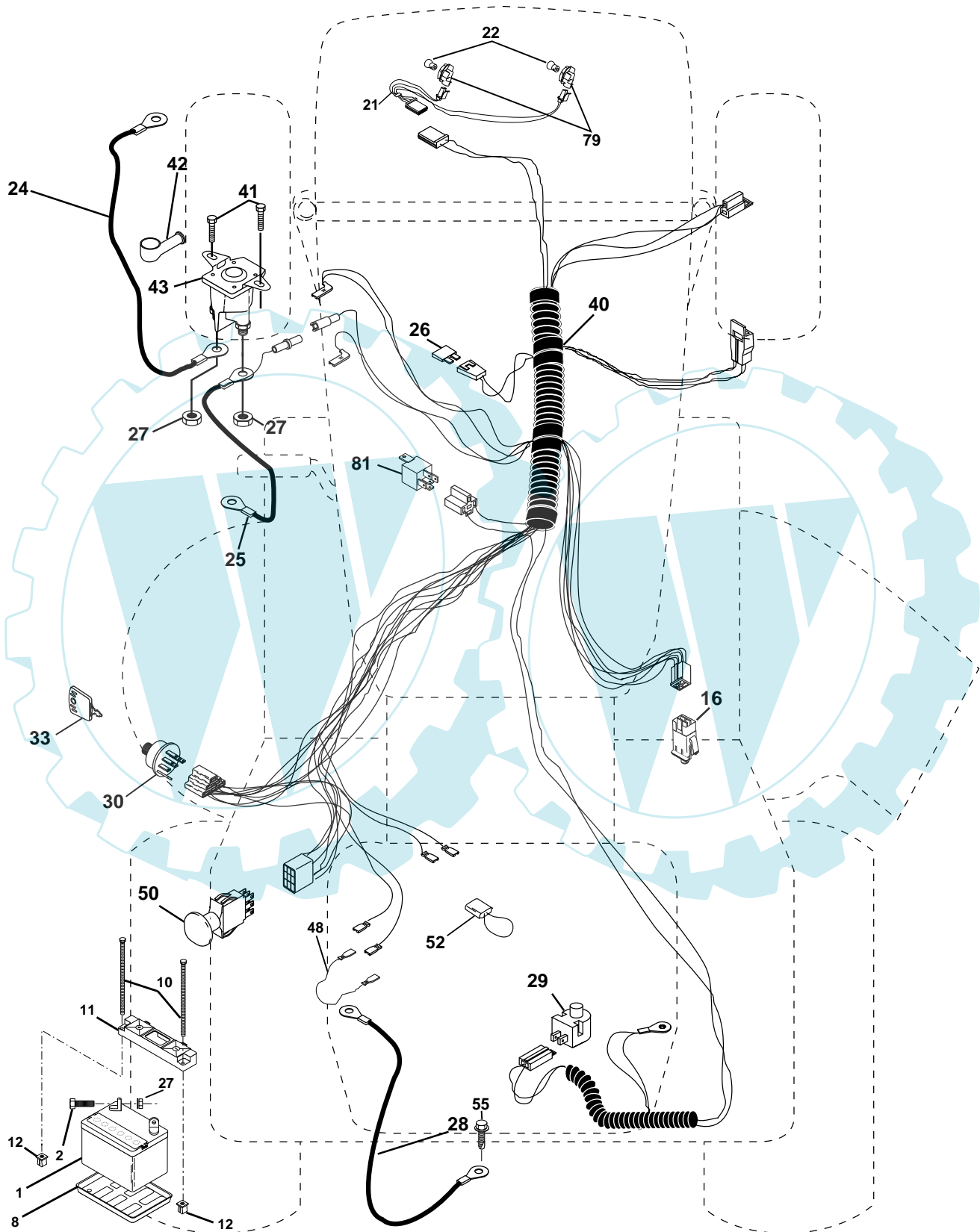


**RELAY**



# REPAIR PARTS

TRACTOR - - MODEL NUMBER LT19A (JLT19H48B), PRODUCT NO. 954 13 00-78  
ELECTRICAL



## REPAIR PARTS

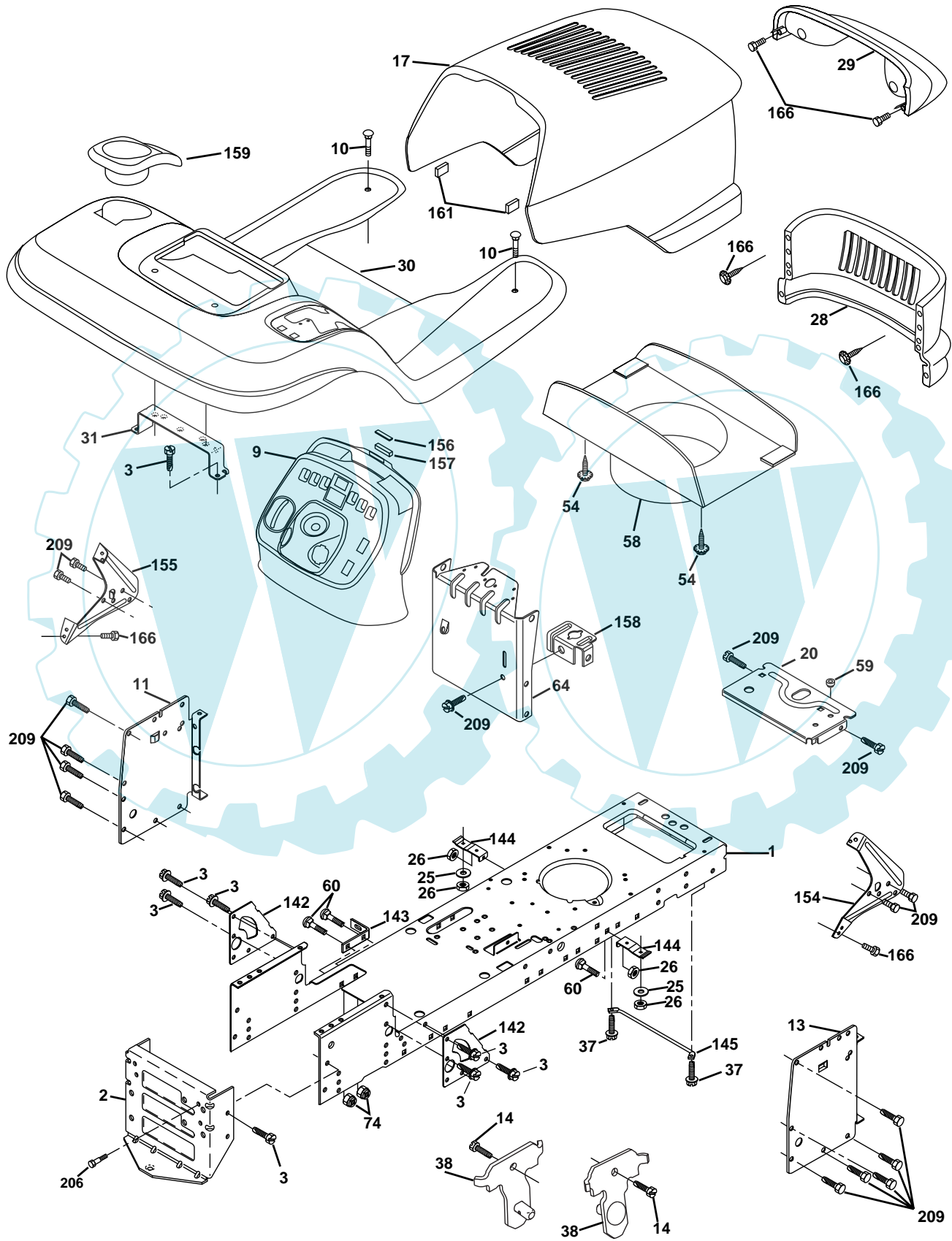
TRACTOR - - MODEL NUMBER LT19A (JLT19H48B), PRODUCT NO. 954 13 00-78  
ELECTRICAL

| KEY NO. | PART NO.            | DESCRIPTION                     |
|---------|---------------------|---------------------------------|
| 1       | 532 14 49-27        | Battery                         |
| 2       | 874 76 04-12        | Bolt Hex Hd 1/4-20unc X 3/4     |
| 8       | 532 12 48-86        | Tray Brty 7.80 x 5.25 Blk       |
| 10      | 532 14 52-11        | Bolt Btr Frt 1/4-20 x 7.5 zinc  |
| 11      | 532 15 01-09        | Holddown Battery mount          |
| 12      | 532 14 57-69        | Nut Push Nylon 1/4 Battery Frt. |
| 16      | 532 17 61-38        | Switch Interlock Push-In        |
| 21      | <b>532 17 56-88</b> | Harness Asm Light W/4152j       |
| 22      | 532 00 41-52        | Bulb Light #1156                |
| 24      | 532 00 88-60        | Cable Battery 6 Ga 17" red      |
| 25      | 532 14 61-48        | Cable Battery 6 Ga 22" w/16W    |
| 26      | 532 17 51-58        | Fuse                            |
| 27      | 873 51 04-00        | Nut Keps Hex 1/4-20 Unc         |
| 28      | 532 14 54-91        | Cable Ground 21" Blk 6 Ga 90T   |
| 29      | 532 16 07-84        | Switch Plunger Normal OP Olive  |
| 30      | 532 17 55-66        | Switch Ign                      |
| 33      | 532 14 04-01        | Key Ign                         |
| 40      | 532 17 97-35        | Harness Ign.                    |
| 41      | 817 72 04-08        | Screw Thd Cut 1/4-20 x 1/2      |
| 42      | 532 13 15-63        | Cover Terminal Red              |
| 43      | 532 17 88-61        | Solenoid                        |
| 48      | 532 14 08-44        | Adapter Ammeter Rectangular     |
| 50      | 532 17 46-51        | Switch PTO                      |
| 52      | 532 14 19-40        | Protection Wire Loop            |
| 55      | 817 49 05-08        | Screw Thdrol 5/16-18 x 1/2 Typ  |
| 79      | <b>532 17 52-42</b> | Bulbholder                      |
| 81      | 532 10 97-48        | Relay ASM                       |

**NOTE:** All component dimensions given in U.S. inches  
1 inch = 25.4 mm.

# REPAIR PARTS

TRACTOR - - MODEL NUMBER LT19A (JLT19H48B), PRODUCT NO. 954 13 00-78  
CHASSIS AND ENCLOSURES



## REPAIR PARTS

TRACTOR - - MODEL NUMBER LT19A (JLT19H48B), PRODUCT NO. 954 13 00-78  
CHASSIS AND ENCLOSURES

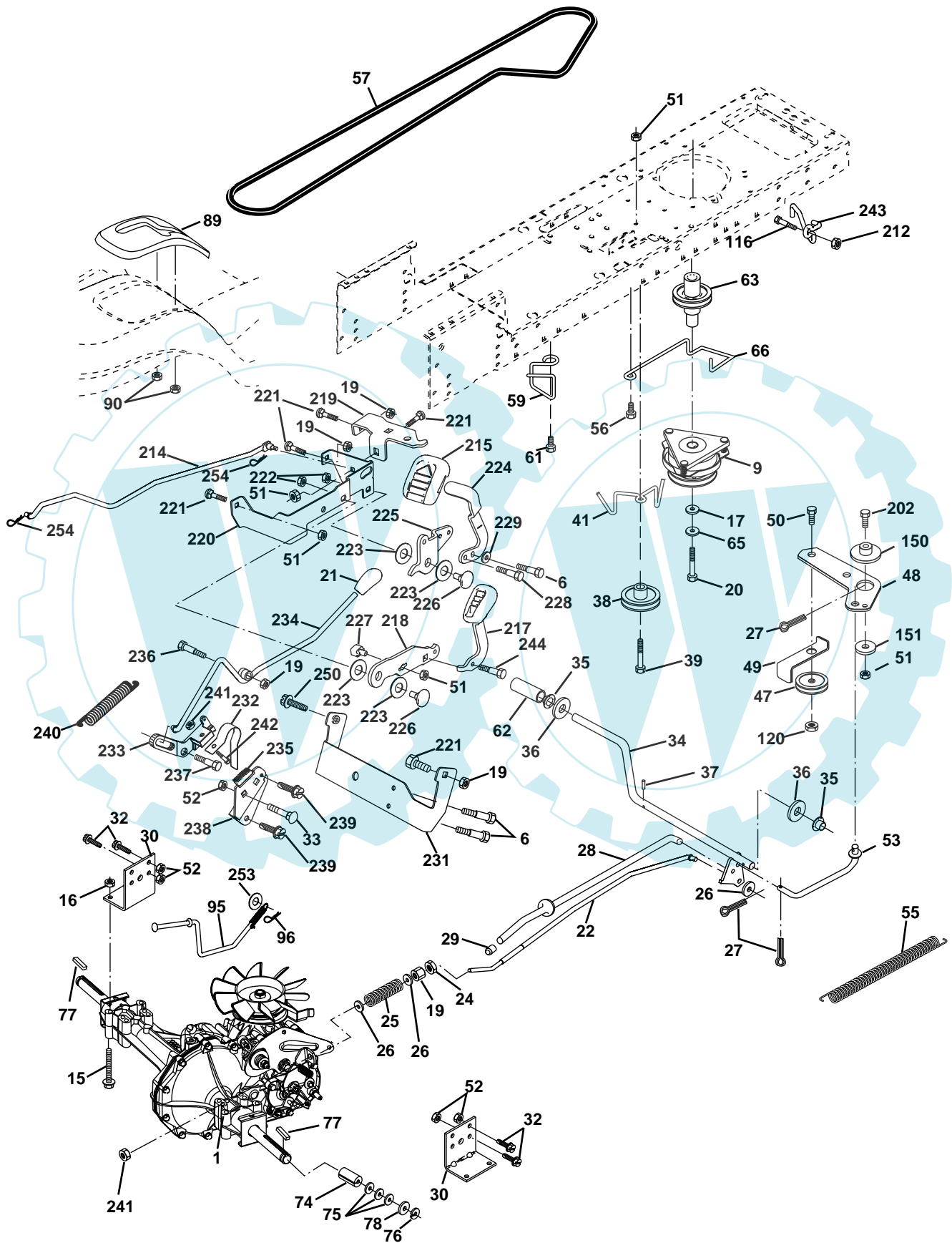
| KEY NO. | PART NO.            | DESCRIPTION                      |
|---------|---------------------|----------------------------------|
| 1       | 532 17 46-19        | Chassis Stamping                 |
| 2       | 532 17 65-54        | Drawbar                          |
| 3       | 817 06 06-12        | Screw 3/8-16x3/4                 |
| 9       | 532 17 71-44        | Dashboard                        |
| 10      | 872 14 06-08        | Bolt Rdhd Sqnk 3/8-16 Unc x 1    |
| 11      | 532 16 72-03        | Panel Dash Lh                    |
| 13      | <b>532 17 82-98</b> | Panel Dash Rh                    |
| 14      | 817 49 06-08        | Screw Thdrol 3/8-16 x 1/2        |
| 17      | 532 18 13-51        | Hood                             |
| 20      | 532 16 20-26        | Plate Mtg Battery/Fuel Tank      |
| 25      | 819 13 13-12        | Washer 13/32 x 13/16 x 12 Ga.    |
| 26      | 873 80 06-00        | Nut Lock w/Insert 3/8-16 UNC     |
| 28      | 532 18 13-52        | Grille Lens Asm                  |
| 29      | <b>532 17 97-61</b> | Light Box Asm (w/Lens)           |
| 30      | 532 18 13-53        | Fender                           |
| 31      | 532 13 99-76        | Bracket                          |
| 37      | 817 49 05-08        | Screw Thdrol 5/16-18 x 1/2       |
| 38      | 532 17 57-10        | Bracket Asm Pivot Mower Rear     |
| 54      | 532 16 14-64        | Screw Hex Wshd 8-18 x 7/8        |
| 58      | 532 17 53-51        | Duct Air                         |
| 59      | 532 17 75-79        | Bushing Snap                     |
| 60      | 872 14 06-06        | Bolt RDHD SQNK 3/8-16 x 3/4      |
| 64      | 532 17 49-97        | Dash Lower Stlt                  |
| 74      | 873 68 06-00        | Nut Crownlock 3/8-16             |
| 142     | 532 17 57-02        | Plate Reinforcement              |
| 143     | 532 15 49-66        | Bracket Swaybar Chassis          |
| 144     | 532 17 55-82        | Bracket Ft Rest                  |
| 145     | 532 15 65-24        | Rod Pivot Chassis Hood           |
| 154     | 532 16 18-97        | Bracket Dash RH                  |
| 155     | 532 16 19-00        | Bracket Dash LH                  |
| 156     | 532 16 38-05        | Striker Plate                    |
| 157     | 532 16 38-06        | Magnet YTGT                      |
| 158     | 532 16 20-37        | Parking Brake Brkt               |
| 159     | <b>532 18 13-35</b> | Cupholder YTGT Grey              |
| 161     | 532 16 46-55        | Extrusion Bumper                 |
| 166     | 532 16 48-63        | HWHDH:-Lo. #13-16 x 3/4          |
| 206     | 532 17 01-65        | Bolt Shoulder 5/16-18 TT         |
| 209     | 817 00 06-12        | Screw Hexwsh Thdr 3/8-16 c-x 3/4 |

Correction:  
532 18 13-55

**NOTE:** All component dimensions given in U. S. inches  
1 inch = 25.4 mm

# REPAIR PARTS

TRACTOR - - MODEL NUMBER LT19A (JLT19H48B), PRODUCT NO. 954 13 00-78  
DRIVE



# REPAIR PARTS

TRACTOR - - MODEL NUMBER LT19A (JLT19H48B), PRODUCT NO. 954 13 00-78  
DRIVE

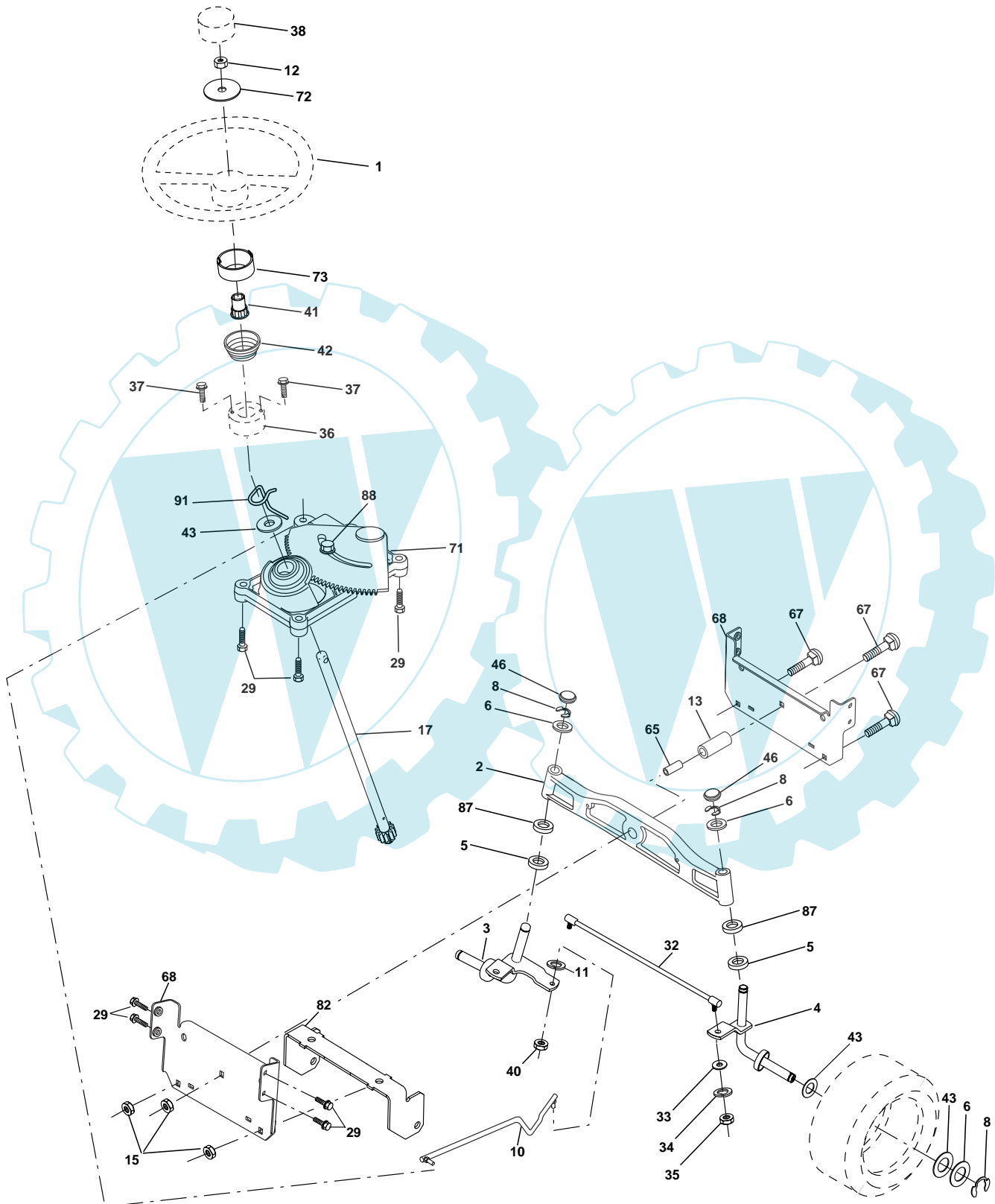
| KEY NO. | PART NO.     | DESCRIPTION  | KEY NO. | PART NO.            | DESCRIPTION                       |
|---------|--------------|--|---------|---------------------|-----------------------------------|
| 1       | -----        | Transaxle (Order parts from transaxle manufacturer)<br>Hydro gear Model 323-0510 | 76      | 812 00 00-01        | E-Ring                            |
| 6       | 817 06 05-12 | Screw 5/16-18 x 3/4  | 77      | 532 12 35-83        | Key, Square                       |
| 9       | 532 17 43-67 | Clutch Elec  | 78      | 532 12 17-48        | Washer 25/32 x 1-5/8 x 16 Ga.     |
| 15      | 874 49 05-44 | Bolt Hex Flghd 5/16-18 Gr. 5   | 89      | 532 18 14-53        | Console, Shift                    |
| 16      | 873 80 05-00 | Nut Lock Hex W/Ins. 5/16-18 Unc  | 90      | 532 12 43-46        | Nut Self-Thd Wsh-hd 1/4 Zinc      |
| 17      | 532 12 61-97 | Washer 1-1/2 OD x 15/32 ID x .250  | 95      | 532 18 08-25        | Bypass Asm                        |
| 19      | 873 80 06-00 | Nut Lock Hex W/Wsh 3/8-16 Unc  | 96      | 532 12 47-88        | Retainer Spring 1" Zinc/Cad       |
| 20      | 532 17 39-37 | Bolt Hex 7/16-20 x 4 x Gr. 5-1.5   | 116     | 872 14 06-08        | Bolt RDHD SQNK 3/8-16 Unc x 1     |
| 21      | 532 18 14-54 | Knob Custom Control Cruise   | 120     | 873 90 06-00        | Nut Lock Flg 3/8-16 Unc           |
| 22      | 532 17 58-96 | Rod, Brake   | 150     | 532 17 54-56        | Spacer Retainer                   |
| 24      | 873 35 06-00 | Nut, Hex Jam 3/8-16 Unc  | 151     | 819 13 32-10        | Washer 13/32 x 2 x 10 Ga.         |
| 25      | 532 10 68-88 | Spring, Brake Rod  | 202     | 872 11 06-12        | Bolt Carr Sh 3/8-16 x 1-1/2 Gr. 5 |
| 26      | 819 13 13-16 | Washer   | 212     | 532 14 52-12        | Nut Hex Flange Lock               |
| 27      | 876 02 04-12 | Pin Cotter 1/8 x 3/4 CAD.  | 214     | 532 17 47-35        | Link Transaxle                    |
| 28      | 532 17 57-65 | Rod, Parking Brake   | 215     | 532 17 56-46        | Cover Pedal Forward               |
| 29      | 532 07 16-73 | Cap, Brake, Park   | 217     | 532 17 94-33        | Pedal Reverse Asm                 |
| 30      | 532 16 95-92 | Bracket, Transaxle   | 218     | 532 17 47-13        | Arm Control Pedal Reverse         |
| 32      | 874 76 05-12 | Bolt Hex Hd 5/16-18 Unc x 3/4  | 219     | 532 17 48-39        | Bracket Frest Pdl Ctrl. Hyd       |
| 33      | 872 14 05-06 | Bolt Rdhd Sqnk 5/16-18 Unc x 3/4   | 220     | 532 17 47-11        | Bracket Mtg. Pedal Control        |
| 34      | 532 17 55-78 | Shaft, Foot Pedal  | 221     | 872 14 06-06        | Bolt Rdhd Sqnk 3/8-16 Unc x 3/4   |
| 35      | 532 12 01-83 | Bearing, Nylon   | 222     | 873 68 07-00        | Nut Crownlock 7/16-14 Unc         |
| 36      | 819 21 16-16 | Washer   | 223     | 532 17 48-40        | Washer Nylon 11/16 ID x .060      |
| 37      | 532 12 49-63 | Pin, Roll  | 224     | 532 17 47-36        | Pedal Forward                     |
| 38      | 532 17 91-14 | Pulley, Composite, Flat  | 225     | 532 17 47-12        | Arm Control Pedal Forward         |
| 39      | 874 76 06-48 | Bolt Fin Hex 3/8-16 Unc x 3  | 226     | 532 17 49-02        | Bolt Pivot Spacer                 |
| 41      | 532 17 55-56 | Keeper, Belt Idler Flat  | 227     | 532 17 47-10        | Cam Reverse Pedal LT              |
| 47      | 532 12 77-83 | Pulley, Idler, V-Groove  | 228     | 532 17 90-32        | Bolt Shoulder 5/16-18             |
| 48      | 532 15 44-07 | Bellcrank Clutch Grnd Drw Stl  | 229     | 532 17 64-51        | Washer Serrated 5/16 x .75        |
| 49      | 532 12 32-05 | Retainer, Belt   | 231     | 532 17 45-73        | Strap Torque                      |
| 50      | 874 76 06-24 | Bolt   | 232     | 532 17 55-70        | Actuator Cruise Disengage         |
| 51      | 873 68 06-00 | Nut Crownlock 3/8-16 UNC   | 233     | 532 17 48-56        | Pawl Control Cruise               |
| 52      | 873 68 05-00 | Nut, Crownlock 5/16-18 Unc   | 234     | 532 17 48-58        | Lever Control Cruise              |
| 53      | 532 10 57-10 | Link, Clutch   | 235     | 532 17 48-57        | Sector Control Cruise             |
| 55      | 532 10 57-09 | Spring, Return, Clutch   | 236     | 532 12 89-03        | Bolt Shoulder 3/8-16 Unc 1/44     |
| 56      | 817 06 06-20 | Screw 3/8-16 x 1-1/4   | 237     | 532 17 01-65        | Bolt Shoulder 5/16-18             |
| 57      | 532 14 02-94 | V-Belt, Ground Drive   | 238     | 532 17 58-07        | Arm Mtg. Cruise Sector            |
| 59      | 532 16 96-91 | Keeper, Center Span  | 239     | 817 49 05-08        | Screw Thdrol 5/16 x 1/2           |
| 61      | 817 12 06-14 | Screw 3/8-16 x .875  | 240     | 532 17 56-10        | Spring Return Cruise Control      |
| 62      | 532 12 48-72 | Cover, Pedal   | 241     | 873 93 04-00        | Nut Centerlock 1/4-20 Unc         |
| 63      | 532 17 54-17 | Pulley, Engine   | 242     | 874 78 04-12        | Bolt Fin Hex 1/4-20 Unc x .75     |
| 65      | 810 04 07-00 | Washer   | 243     | 532 17 82-89        | Bracket Anti-Rotation CVX         |
| 66      | 532 15 47-78 | Keeper Belt Engine   | 244     | 532 16 68-80        | Screw 5/16-18 x 5/8               |
| 74      | 532 13 70-57 | Spacer, Axle   | 250     | 817 06 06-12        | Screw 3/8-16 x 3/4                |
| 75      | 532 12 17-49 | Washer 25/32 x 1-1/4 x 16 Ga.  | 253     | <b>532 17 94-22</b> | Washer .3125 x .615 x 16 Ga.      |
|         |              |  | 254     | <b>532 17 80-62</b> | Clip Retainer                     |

**NOTE:** All component dimensions given in U.S. inches  
1 inch = 25.4 mm.



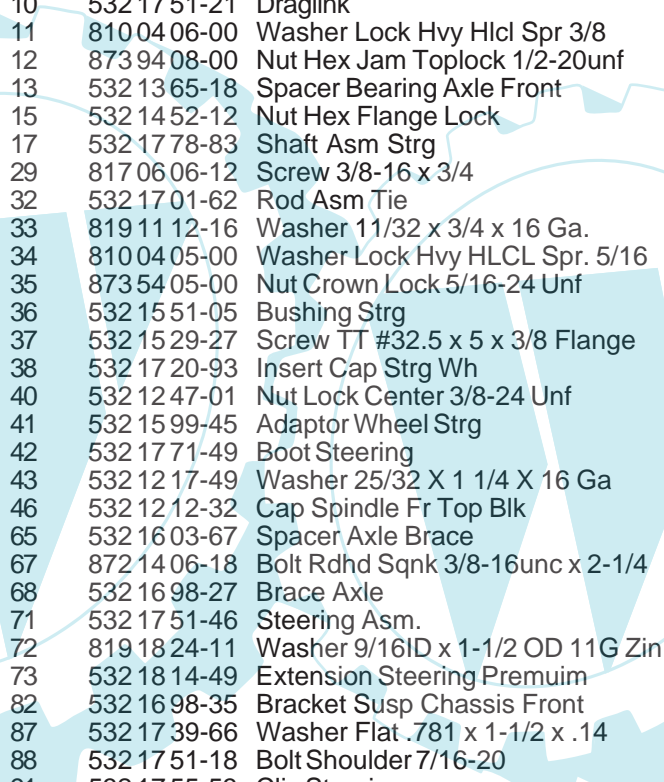
# REPAIR PARTS

TRACTOR - - MODEL NUMBER LT19A (JLT19H48B), PRODUCT NO. 954 13 00-78  
STEERING ASSEMBLY



## REPAIR PARTS

TRACTOR - - MODEL NUMBER LT19A (JLT19H48B), PRODUCT NO. 954 13 00-78  
STEERING ASSEMBLY

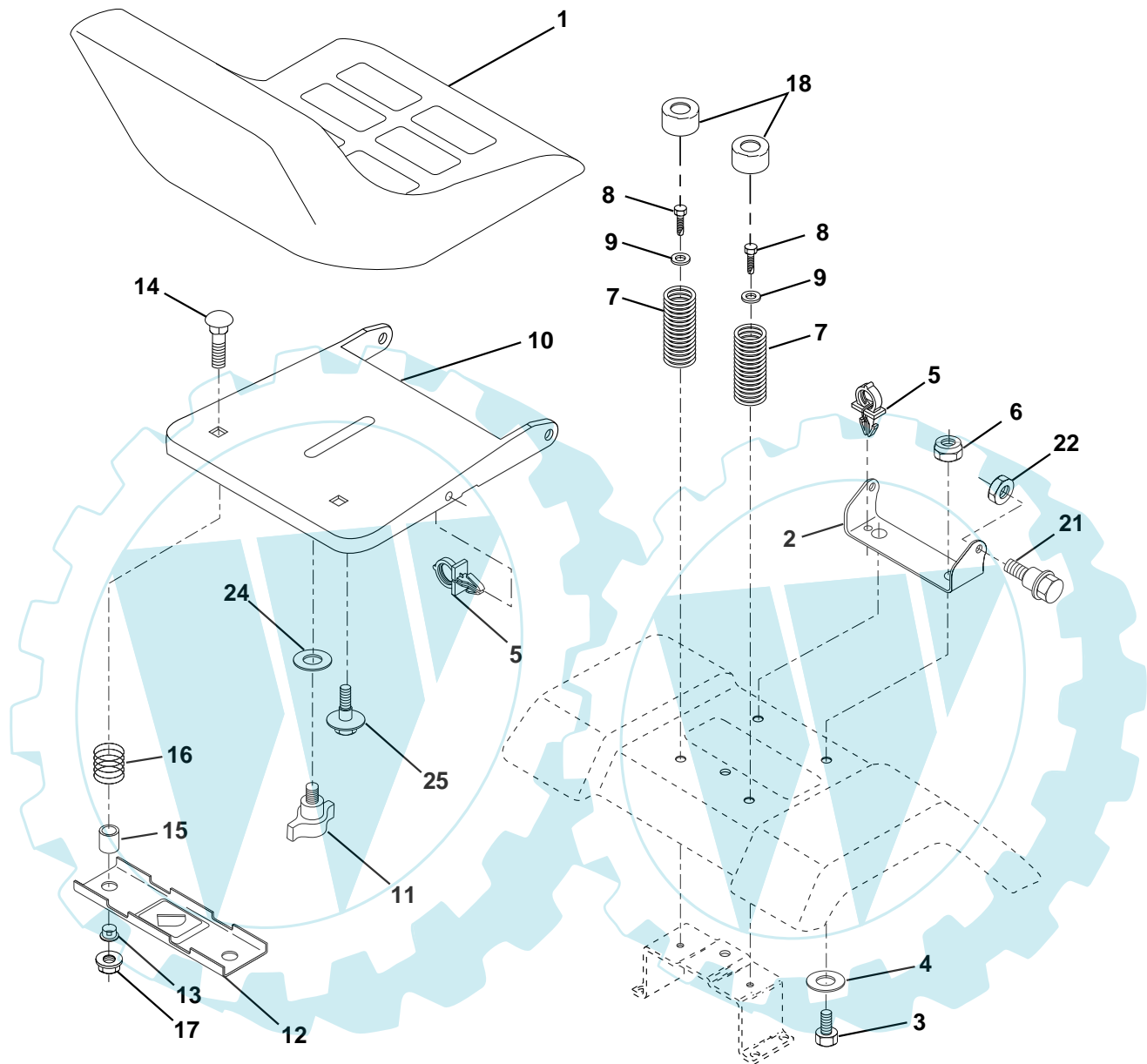


| KEY NO. | PART NO.     | DESCRIPTION                      |
|---------|--------------|----------------------------------|
| 1       | 532 17 20-92 | Wheel Steering                   |
| 2       | 532 17 23-93 | Axle Casting Iron Lt             |
| 3       | 532 16 98-40 | Spindle Asm LH                   |
| 4       | 532 16 98-39 | Spindle Asm RH                   |
| 5       | 532 12 49-31 | Washer Thrust .75 x 1.230        |
| 6       | 532 12 17-48 | Washer 25/32 X 1-5/8 X 16 Ga     |
| 8       | 812 00 00-29 | Ring Klip #t5304-75              |
| 10      | 532 17 51-21 | Draglink                         |
| 11      | 810 04 06-00 | Washer Lock Hvy Hlcl Spr 3/8     |
| 12      | 873 94 08-00 | Nut Hex Jam Toplock 1/2-20unf    |
| 13      | 532 13 65-18 | Spacer Bearing Axle Front        |
| 15      | 532 14 52-12 | Nut Hex Flange Lock              |
| 17      | 532 17 78-83 | Shaft Asm Strg                   |
| 29      | 817 06 06-12 | Screw 3/8-16 x 3/4               |
| 32      | 532 17 01-62 | Rod Asm Tie                      |
| 33      | 819 11 12-16 | Washer 11/32 x 3/4 x 16 Ga.      |
| 34      | 810 04 05-00 | Washer Lock Hvy HLCL Spr. 5/16   |
| 35      | 873 54 05-00 | Nut Crown Lock 5/16-24 Unf       |
| 36      | 532 15 51-05 | Bushing Strg                     |
| 37      | 532 15 29-27 | Screw TT #32.5 x 5 x 3/8 Flange  |
| 38      | 532 17 20-93 | Insert Cap Strg Wh               |
| 40      | 532 12 47-01 | Nut Lock Center 3/8-24 Unf       |
| 41      | 532 15 99-45 | Adaptor Wheel Strg               |
| 42      | 532 17 71-49 | Boot Steering                    |
| 43      | 532 12 17-49 | Washer 25/32 X 1 1/4 X 16 Ga     |
| 46      | 532 12 12-32 | Cap Spindle Fr Top Blk           |
| 65      | 532 16 03-67 | Spacer Axle Brace                |
| 67      | 872 14 06-18 | Bolt Rdhd Sqnk 3/8-16unc x 2-1/4 |
| 68      | 532 16 98-27 | Brace Axle                       |
| 71      | 532 17 51-46 | Steering Asm.                    |
| 72      | 819 18 24-11 | Washer 9/16ID x 1-1/2 OD 11G Zin |
| 73      | 532 18 14-49 | Extension Steering Premuim       |
| 82      | 532 16 98-35 | Bracket Susp Chassis Front       |
| 87      | 532 17 39-66 | Washer Flat .781 x 1-1/2 x .14   |
| 88      | 532 17 51-18 | Bolt Shoulder 7/16-20            |
| 91      | 532 17 55-53 | Clip Steering                    |

**NOTE:** All component dimensions given in U.S. inches  
1 inch = 25.4 mm.

# REPAIR PARTS

TRACTOR - - MODEL NUMBER LT19A (JLT19H48B), PRODUCT NO. 954 13 00-78  
SEAT ASSEMBLY



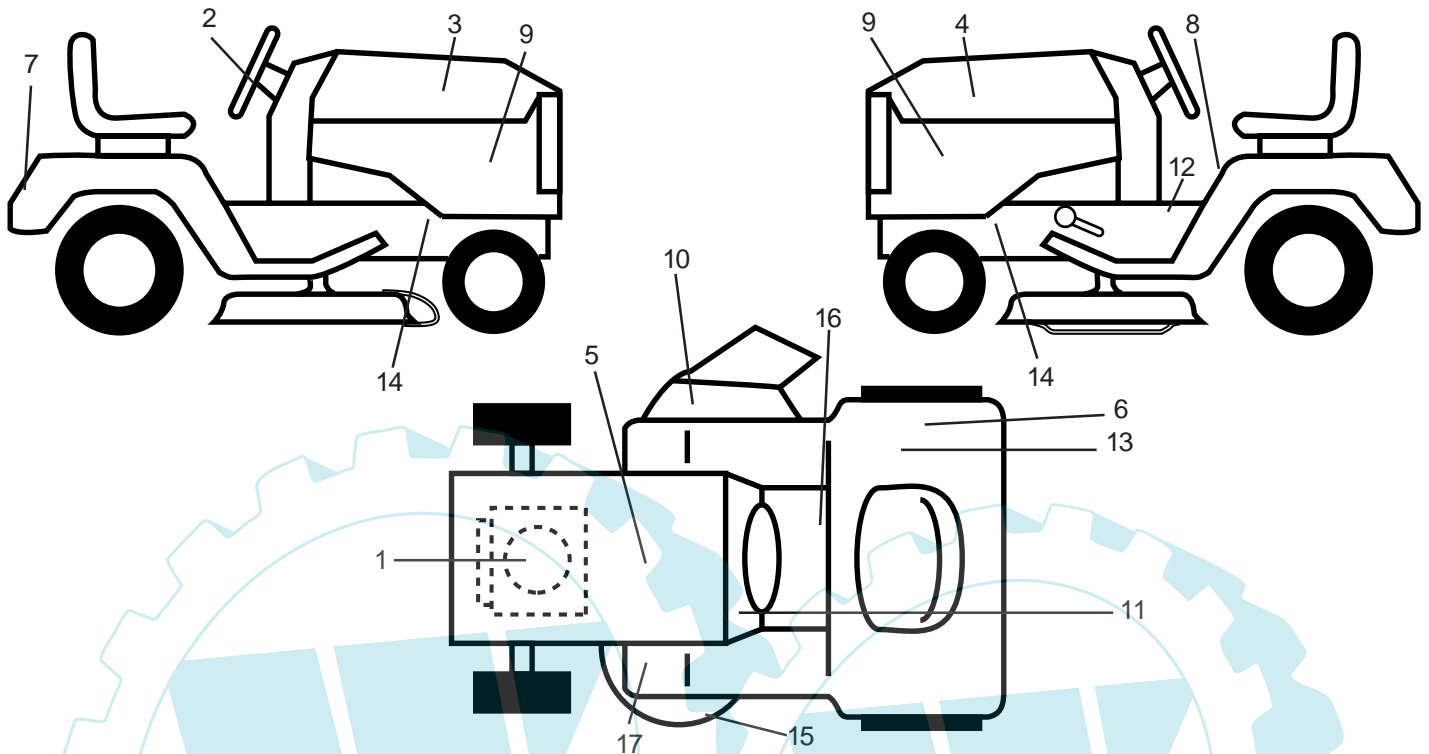
| KEY NO. | PART NO.     | DESCRIPTION                    |
|---------|--------------|--------------------------------|
| 1       | 532 14 01-18 | Seat                           |
| 2       | 532 14 05-51 | Bracket Pivot Seat 8 720       |
| 3       | 871 11 06-16 | Bolt Hex 3/8-16unc x 1         |
| 4       | 819 13 16-10 | Washer 13/32 X 1 X 10 Ga       |
| 5       | 532 14 50-06 | Clip Push-In Hinged            |
| 6       | 873 80 06-00 | Nut Lock Hex w/Ins. 3/8-16 Unc |
| 7       | 532 12 41-81 | Spring Seat Cprsn 2 250 Blk Zi |
| 8       | 817 00 06-16 | Screw 3/8-16 X 1               |
| 9       | 819 13 16-14 | Washer 13/32 X 1 X 14 Ga       |
| 10      | 532 17 48-94 | Pan Seat                       |
| 11      | 532 16 63-69 | Knob Seat                      |
| 12      | 532 12 12-46 | Bracket Mounting Switch        |

| KEY NO. | PART NO.     | DESCRIPTION                    |
|---------|--------------|--------------------------------|
| 13      | 532 12 12-48 | Bushing Snap Blk Nyl 50 Id     |
| 14      | 872 05 04-12 | Bolt Rdhd Sht Nk 1/4-20x1-1/2  |
| 15      | 532 12 12-49 | Spacer Split 28x 88 Yel Zinc   |
| 16      | 532 12 37-40 | Spring Cprsn 1 310 Blk Pnt     |
| 17      | 532 12 39-76 | Nut Lock 1/4 Lge Flg Gr 5 Zinc |
| 18      | 532 12 42-38 | Cap Spring Seat                |
| 21      | 532 17 18-52 | Bolt Shoulder 5/16-18 Unc-2A   |
| 22      | 873 80 05-00 | Nut Lock Hx W/Ins 5/16-18unc   |
| 24      | 819 17 19-12 | Washer 17/32 X 1-3/16 X 12 Ga  |
| 25      | 532 12 70-18 | Bolt Shoulder 5/16-18 X 62     |

**NOTE:** All component dimensions given in U.S. inches  
1 inch = 25.4 mm.

# REPAIR PARTS

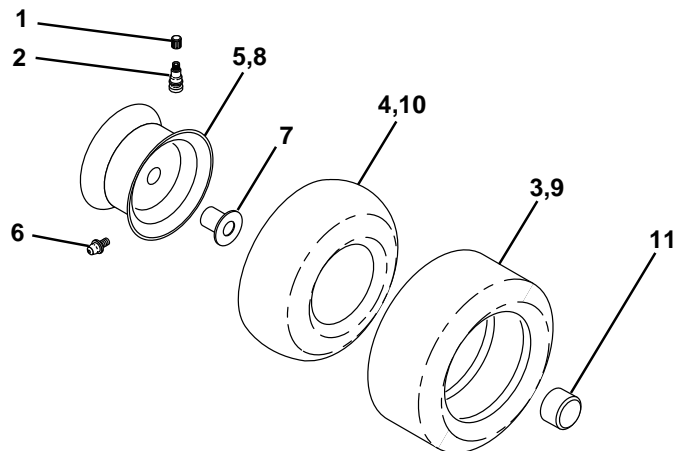
TRACTOR - - MODEL NUMBER LT19A (JLT19H48B), PRODUCT NO. 954 13 00-78  
DECALS



| KEY NO. | PART NO.            | DESCRIPTION                  |
|---------|---------------------|------------------------------|
| 1       | 532 18 07-09        | Decal Engine                 |
| 2       | 532 17 05-65        | Decal Ins. Strg. Whl.        |
| 3       | 532 17 96-39        | Decal Hood RH                |
| 4       | 532 17 96-40        | Decal Hood LH                |
| 5       | 532 14 50-05        | Decal Btry DNGR/PSN P/L Sym. |
| 6       | <b>532 18 04-33</b> | Decal 105 DBA                |
| 7       | 532 14 17-61        | Decal Fender                 |
| 8       | 532 14 54-98        | Decal Read Owners Manual     |
| 9       | 532 16 29-27        | Decal Hood Insert            |
| 10      | 532 14 54-94        | Decal Mower Cutfinger        |
| 11      | 532 17 69-09        | Decal Dash                   |

| KEY NO. | PART NO.            | DESCRIPTION                    |
|---------|---------------------|--------------------------------|
| 12      | 532 14 08-37        | Decal Saddle Brake Parking     |
| 13      | 532 14 54-37        | Decal Europe Stand CE          |
| 14      | 532 15 97-36        | Decal Chassis Hot Muffler      |
| 15      | 532 17 52-91        | Decal V-Belt                   |
| 16      | 532 17 83-02        | Decal Oper Cruise              |
| 17      | 532 15 97-37        | Decal Brake/Clutch Symbol LT   |
| -       | 532 16 25-98        | Decal Drawbar Load Limit       |
| -       | 532 13 83-11        | Decal Lift Handle(Lift Handle) |
| -       | 532 16 92-10        | Decal By Pass Lt Hydro         |
| -       | 532 18 14-47        | Pad Footrest LH STLT           |
| -       | 532 18 14-48        | Pad Footrest RH STLT           |
| -       | <b>532 18 00-56</b> | Manual Oper. Euro.             |
| -       | <b>532 18 00-57</b> | Manual Oper. Scan.             |

## WHEELS & TIRES

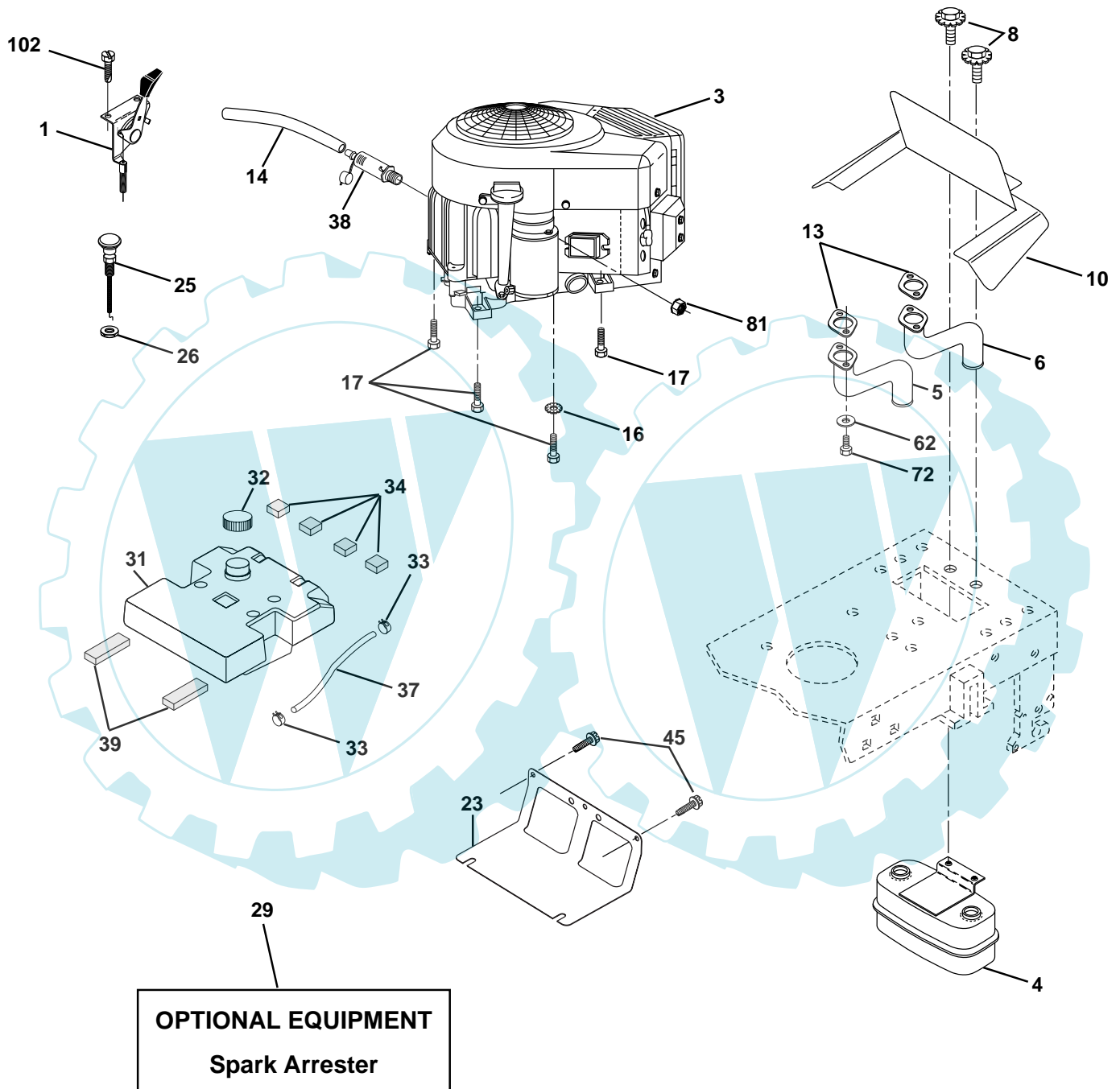


| KEY NO. | PART NO.     | DESCRIPTION                       |
|---------|--------------|-----------------------------------|
| 1       | 532 05 91-92 | Cap Valve Tire                    |
| 2       | 532 06 51-39 | Stem Valve                        |
| 3       | 532 10 62-22 | Tire F Ts 15 X 6 0 - 6 Service    |
| 4       | 532 05 99-04 | Tube Front (Service Item Only)    |
| 5       | 532 13 83-36 | Rim Asm 6" front Silver Service   |
| 6       | 532 12 49-57 | Fitting Grease (Front Wheel Only) |
| 7       | 532 12 49-59 | Bearing Flange (Front Wheel Only) |
| 8       | 532 13 83-37 | Rim Asm 8" rear Silver Service    |
| 9       | 532 12 20-82 | Tire R Ts 20 10 C Service         |
| 10      | 532 12 49-26 | Tube Rear (Service Item Only)     |
| 11      | 532 17 50-39 | Cap, Hub Axle Blk 1.50 x 1.00     |
| --      | 532 14 43-34 | Tire, Sealant (10 oz. Tube)       |

**NOTE:** All component dimensions given in U.S. inches  
1 inch = 25.4 mm

# REPAIR PARTS

TRACTOR - - MODEL NUMBER LT19A (JLT19H48B), PRODUCT NO. 954 13 00-78  
ENGINE



## REPAIR PARTS

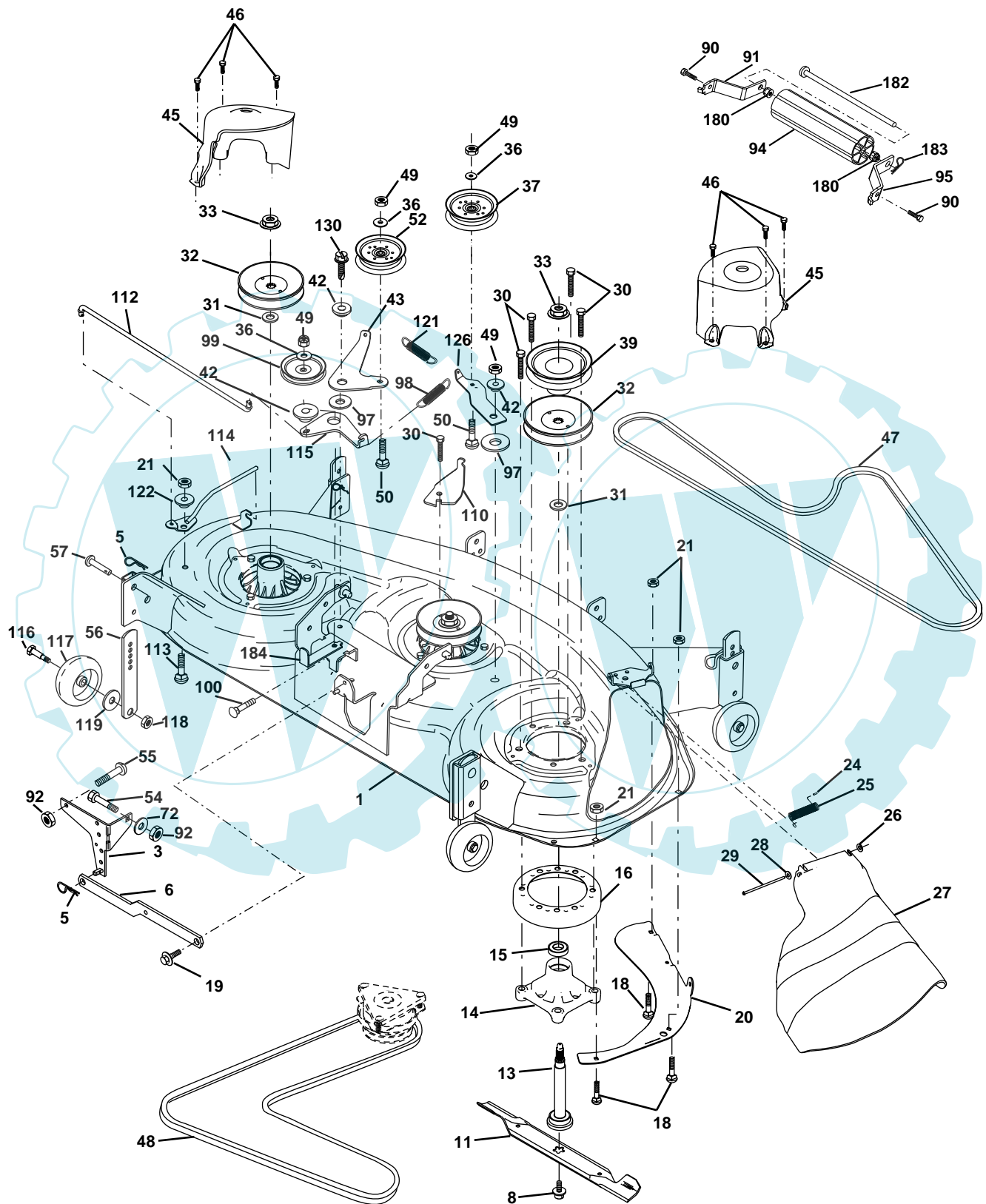
TRACTOR - - MODEL NUMBER LT19A (JLT19H48B), PRODUCT NO. 954 13 00-78  
ENGINE

| KEY NO. | PART NO.            | DESCRIPTION  |
|---------|---------------------|--|
| 1       | <b>532 17 83-85</b> | Control Throt  |
| 3       | -----               | Engine Briggs & Stratton Model #446777<br>Order parts from engine manufacturer |
| 4       | 532 14 97-23        | Muffler Twin Lo-Twin   |
| 5       | 532 15 99-55        | Tube, Manifold Lh  |
| 6       | 532 16 05-89        | Tube, Manifold Rh  |
| 8       | 532 17 18-77        | Bolt 5/16-18 Unc x 3/4 w/Sems  |
| 10      | 532 16 27-97        | Shield Browning Intek  |
| 13      | 532 16 53-91        | Gasket Muffler   |
| 14      | 532 14 84-56        | Tube Drain Oil Easy  |
| 16      | 811 05 06-00        | Washer Lock Ext Tooth 3/8  |
| 17      | 817 49 06-24        | Screw, Thdrol 3/8-16 x 1-1/2 Tytt  |
| 23      | 532 16 98-37        | Shield Brn/Dbr Guard   |
| 25      | <b>532 17 86-39</b> | Choke Control  |
| 26      | 873 92 06-00        | Nut, Keps 3/8-24 Unf   |
| 29      | 532 13 71-80        | Kit Spark Arrestor (Flat Scrn)   |
| 31      | 532 15 71-03        | Tank Fuel 3 50 STLT w/o Sensor   |
| 32      | 532 14 05-27        | Cap Asm Fuel W/sym Vented  |
| 33      | 532 12 34-87        | Clamp Hose Blk   |
| 34      | 532 10 60-82        | Pad, Spacer  |
| 37      | 532 14 21-58        | Line Fuel  |
| 38      | 532 14 83-15        | Plug Drain Oil Easy  |
| 39      | 532 10 92-27        | Pad, Idler   |
| 45      | 817 00 06-12        | Screw Hex Wsh Thdrol 3/8-16  |
| 62      | 810 04 05-00        | Washer, Lock Hvy. Hlcl Spr 5/16  |
| 72      | 871 07 05-12        | Screw Hex Hd Cap 5/16-18 x 3/4   |
| 81      | 873 51 04-00        | Nut Keps Hex 1/4-20 Unc  |
| 102     | 532 16 48-63        | Screw Hwhd Hi-Lo #13-16 x 3/4  |

**NOTE:** All component dimensions given in U.S. inches  
1 inch = 25.4 mm

# REPAIR PARTS

TRACTOR - - MODEL NUMBER LT19A (JLT19H48B), PRODUCT NO. 954 13 00-78  
MOWER DECK



# REPAIR PARTS

## TRACTOR - - MODEL NUMBER LT19A (JLT19H48B), PRODUCT NO. 954 13 00-78 MOWER DECK

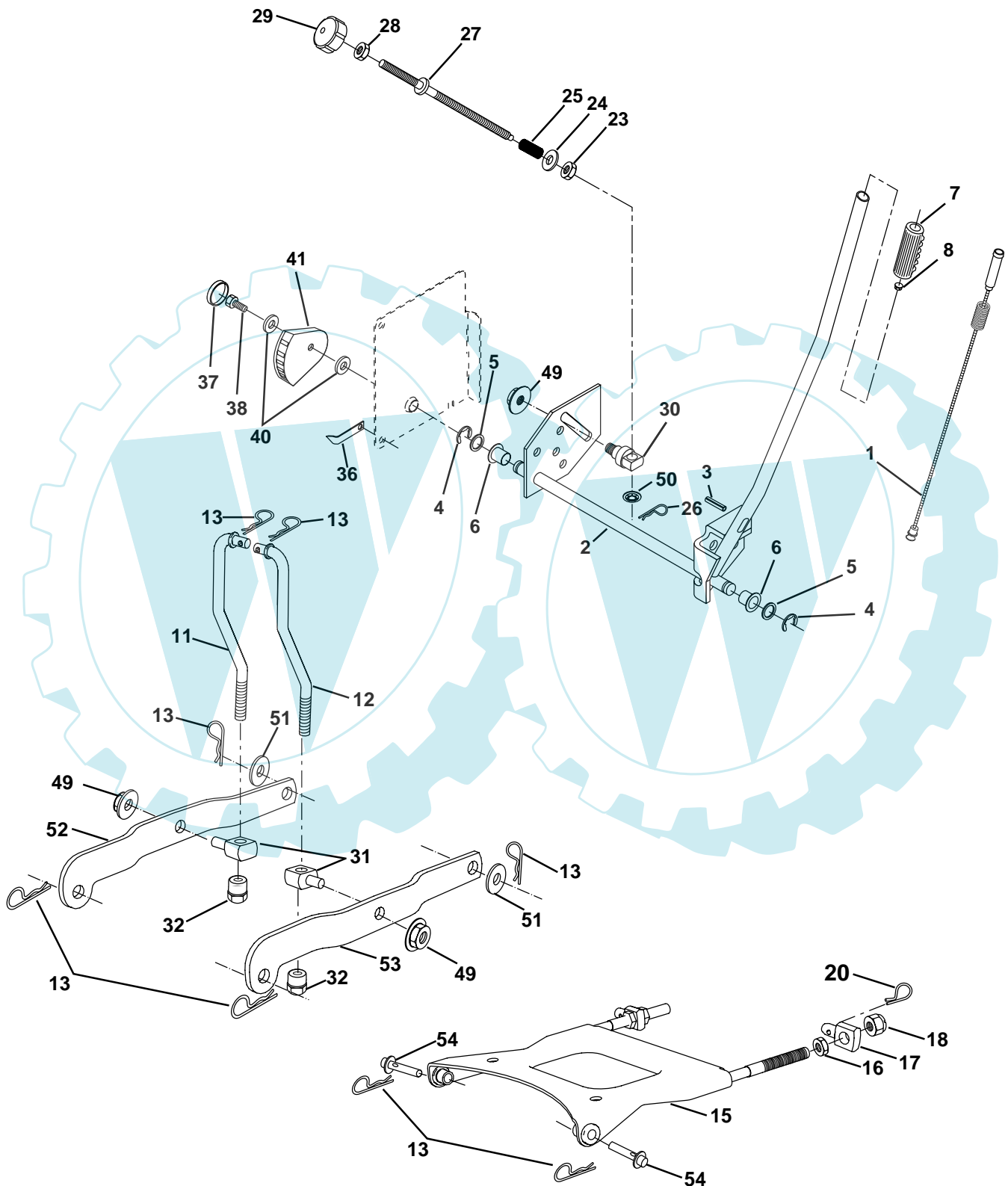
| KEY NO. | PART NO.            | DESCRIPTION                         | KEY NO. | PART NO.            | DESCRIPTION  |
|---------|---------------------|-------------------------------------|---------|---------------------|--|
| 1       | <b>532 18 03-58</b> | Deck Weldment Mower 48              | 56      | 532 15 59-86        | Bar Pnt Adjusting Wheel Gauge  |
| 3       | 532 13 80-17        | Bracket Asm., Sway Bar              | 57      | 532 15 69-41        | Pin Head Rivet   |
| 5       | 532 12 46-70        | Retainer Spring                     | 72      | 819 13 13-12        | Washer 13/32 x 13/16 x 12  |
| 6       | <b>532 17 80-24</b> | Bar Sway Deck                       | 90      | 874 76 05-16        | Bolt, Fin, Hex 5/16-18 x 1.0   |
| 8       | 532 17 43-65        | Bolt, 7/16 Asm. Blade               | 91      | <b>532 18 05-34</b> | Bracket, Asm Noseroller, LH 48   |
| 11      | <b>532 18 00-54</b> | Blade                               | 92      | 873 80 06-00        | Nut Lock Hex w/Ins 3/8-16  |
| 13      | 532 17 43-60        | Shaft Asm. greaseable               | 93      | 819 17 14-16        | Washer 17/32 x 7/8 x 16 Ga.  |
| 14      | 532 17 43-58        | Housing Mandrel 48"                 | 94      | 532 17 60-66        | Roller, Nose 48"   |
| 15      | 532 11 04-85        | Bearing, Ball, Mandrel              | 95      | <b>532 18 05-35</b> | Bracket, Asm Noseroller RH 48  |
| 16      | 532 17 44-93        | Stripper, Mower                     | 97      | 532 13 39-43        | Washer Hardened  |
| 17      | 872 11 06-10        | Bolt Rdhd Sq Neck 3/8-16 x 1.25     | 98      | 532 17 94-79        | Spring Primary Drive   |
| 18      | 872 14 05-05        | Bolt, Carriage 5/16-18 x 5/8        | 99      | 532 17 50-80        | Pulley Idler "V"   |
| 19      | 532 13 28-27        | Bolt, Hex Head, Shoulder 5/16-18    | 100     | 872 11 06-16        | Bolt RDHD Sqnk 3/8-16 Unc x 2  |
| 20      | 532 17 43-78        | Baffle, Vortex Mower                | 108     | 872 11 04-04        | Bolt Carr.   |
| 21      | 873 68 05-00        | Nut, Crownlock 5/16-18 UNC          | 109     | 873 68 04-00        | Nut Crownlock 1/4-20   |
| 24      | 532 10 53-04        | Cap, Sleeve                         | 110     | 532 17 50-16        | Arm Spring Secondary   |
| 25      | 532 17 81-02        | Spring, Torsion                     | 112     | 532 17 43-87        | Link Tension Relief Lever  |
| 26      | 532 11 04-52        | Nut, Push                           | 113     | 872 11 05-08        | Bolt Carr. 5/16-18 x 1   |
| 27      | <b>532 18 17-07</b> | Shield, Deflector Mower             | 114     | 532 17 43-84        | Tension Asm Relief Lever   |
| 28      | 819 11 10-16        | Washer 11/32 x 5/8 x 16 Ga.         | 115     | 532 17 46-09        | Arm Spring Tension Relief  |
| 29      | 532 13 14-91        | Rod, Hinge                          | 116     | 532 13 76-44        | Bolt, Shoulder   |
| 30      | 532 17 39-84        | Screw, Thdroll, Washer Head         | 117     | 532 17 48-73        | Gauge Wheel  |
| 31      | 532 12 99-63        | Washer, Spacer Mower Vented         | 118     | 873 93 06-00        | Nut, Centerlock 3/8-16 UNC   |
| 32      | 532 17 78-65        | Pulley, Mandrel                     | 119     | 819 12 14-14        | Washer 3/8 x 7/8 x 14 Ga.  |
| 33      | 532 17 83-42        | Nut, Flg. Top Lock Cntr. 9/16       | 121     | 532 17 43-71        | Spring Secondary Drive   |
| 36      | 819 13 13-16        | Washer 13/32 x 13/16 x 16 Ga.       | 122     | 532 17 46-06        | Bushing Pivot Tension Relief   |
| 37      | 532 17 79-68        | Pulley, Idler, Flat                 | 126     | 532 17 43-72        | Arm, Idler, Primary Deck   |
| 39      | 532 17 43-75        | Pulley, Idler, Driven               | 130     | 817 00 06-16        | Screw 3/8-16 x 1.0   |
| 42      | 532 16 57-23        | Spacer, Retainer                    | 132     | 817 06 06-12        | Screw 3/8-16 x .75   |
| 43      | 532 17 43-73        | Arm, Idler Secondary                | 180     | 873 80 05-00        | Nut Lock 5/16-18   |
| 45      | 532 17 43-43        | Cover, Mandrel Deck                 | 182     | <b>532 17 91-27</b> | Rod Roller Nose  |
| 46      | 532 13 77-29        | Screw, Thdroll. 1/4-20 x 5/8        | 183     | <b>532 16 35-52</b> | Retainer Spring  |
| 47      | <b>532 18 08-08</b> | V-Belt, Mower, Secondary            | 184     | <b>532 17 39-79</b> | Keeper Belt Idler  |
| 48      | 532 17 43-68        | V-Belt, Mower, Primary              | --      | <b>532 18 15-79</b> | Replacement Mower, Complete  |
| 49      | 873 68 06-00        | Nut, Crownlock 3/8-16 UNC           | --      | 532 17 43-56        | Mandrel Assembly (Includes Housing, Shaft and Shaft Hardware Only-Pulley Not Included) |
| 50      | 872 11 06-12        | Bolt, Carriage 3/8-16 x 1-1/2 Gr. 5 |         |                     |  |
| 52      | 532 17 58-20        | Pulley Idler Flat 46 Pri. Drive     |         |                     |  |
| 54      | 874 78 06-16        | Bolt Fin Hex 3/8-16 x 1             |         |                     |  |
| 55      | 872 14 06-08        | Bolt Rdhd Sqnk 3/8-16 x 1           |         |                     |  |

**NOTE:** All component dimensions given in U.S. inches  
1 inch = 25.4 mm



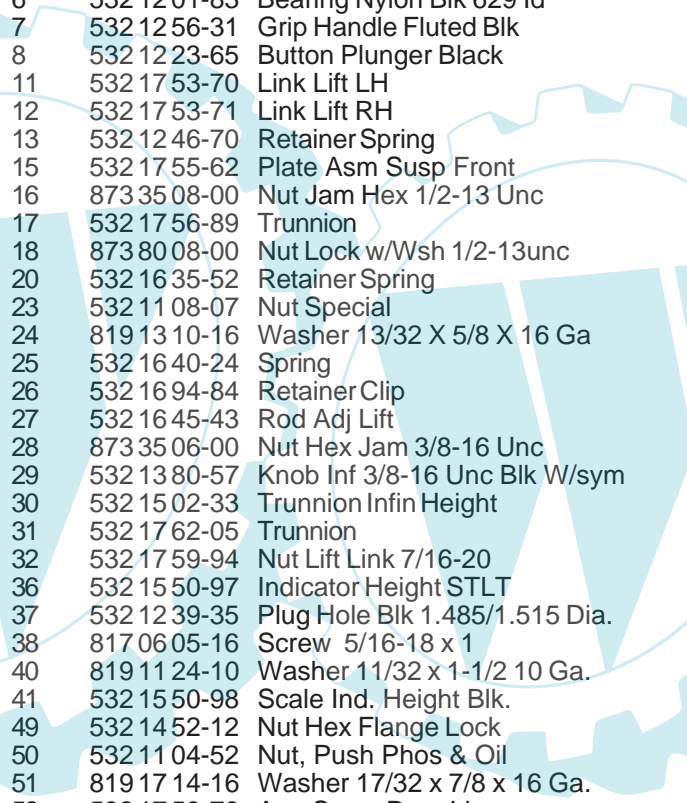
# REPAIR PARTS

TRACTOR - - MODEL NUMBER LT19A (JLT19H48B), PRODUCT NO. 954 13 00-78  
MOWER LIFT



## REPAIR PARTS

TRACTOR - - MODEL NUMBER LT19A (JLT19H48B), PRODUCT NO. 954 13 00-78  
MOWER LIFT



| KEY NO. | PART NO.     | DESCRIPTION                        |
|---------|--------------|------------------------------------|
| 1       | 532 15 94-61 | Wire Asm Inner/Spring W/Plunger LT |
| 2       | 532 15 94-76 | Shaft Asm Lift RH w/Inf            |
| 3       | 532 13 82-84 | Pin Groove 1 500 Zinc              |
| 4       | 812 00 00-02 | E Ring #5133-62                    |
| 5       | 819 21 16-21 | Washer 21/32 X 1 X 21 Ga           |
| 6       | 532 12 01-83 | Bearing Nylon Blk 629 Id           |
| 7       | 532 12 56-31 | Grip Handle Fluted Blk             |
| 8       | 532 12 23-65 | Button Plunger Black               |
| 11      | 532 17 53-70 | Link Lift LH                       |
| 12      | 532 17 53-71 | Link Lift RH                       |
| 13      | 532 12 46-70 | Retainer Spring                    |
| 15      | 532 17 55-62 | Plate Asm Susp Front               |
| 16      | 873 35 08-00 | Nut Jam Hex 1/2-13 Unc             |
| 17      | 532 17 56-89 | Trunnion                           |
| 18      | 873 80 08-00 | Nut Lock w/Wsh 1/2-13unc           |
| 20      | 532 16 35-52 | Retainer Spring                    |
| 23      | 532 11 08-07 | Nut Special                        |
| 24      | 819 13 10-16 | Washer 13/32 X 5/8 X 16 Ga         |
| 25      | 532 16 40-24 | Spring                             |
| 26      | 532 16 94-84 | Retainer Clip                      |
| 27      | 532 16 45-43 | Rod Adj Lift                       |
| 28      | 873 35 06-00 | Nut Hex Jam 3/8-16 Unc             |
| 29      | 532 13 80-57 | Knob Inf 3/8-16 Unc Blk W/sym      |
| 30      | 532 15 02-33 | Trunnion Infin Height              |
| 31      | 532 17 62-05 | Trunnion                           |
| 32      | 532 17 59-94 | Nut Lift Link 7/16-20              |
| 36      | 532 15 50-97 | Indicator Height STLT              |
| 37      | 532 12 39-35 | Plug Hole Blk 1.485/1.515 Dia.     |
| 38      | 817 06 05-16 | Screw 5/16-18 x 1                  |
| 40      | 819 11 24-10 | Washer 11/32 x 1-1/2 10 Ga.        |
| 41      | 532 15 50-98 | Scale Ind. Height Blk.             |
| 49      | 532 14 52-12 | Nut Hex Flange Lock                |
| 50      | 532 11 04-52 | Nut, Push Phos & Oil               |
| 51      | 819 17 14-16 | Washer 17/32 x 7/8 x 16 Ga.        |
| 52      | 532 17 53-78 | Arm Susp. Rear Lh                  |
| 53      | 532 17 58-02 | Arm Susp. Rear Rh                  |
| 54      | 532 17 55-60 | Pin Flange                         |

**NOTE:** All component dimensions given in U.S. inches  
1 inch = 25.4 mm